



TORNADO INDUSTRIES, LLC  
3101 WICHITA COURT  
FORT WORTH, TX 76140  
PHONE 800-VACUUMS  
FAX 817-551-0719  
WWW.TORNADOVAC.COM

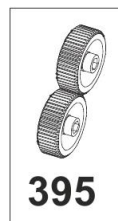
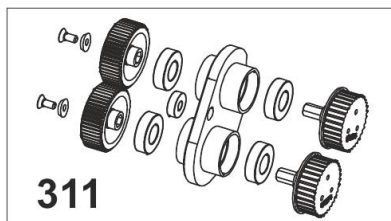
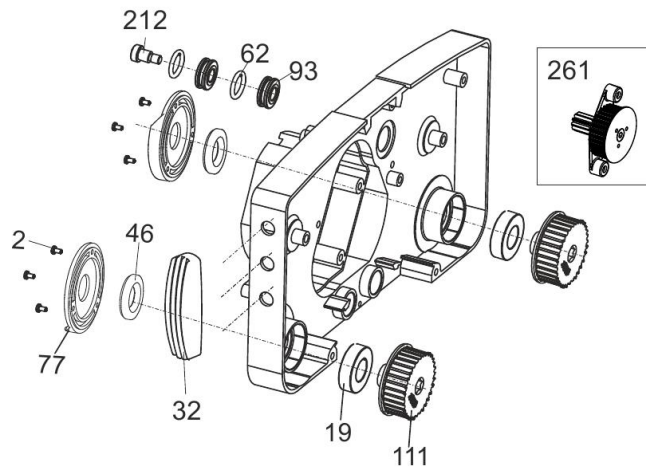
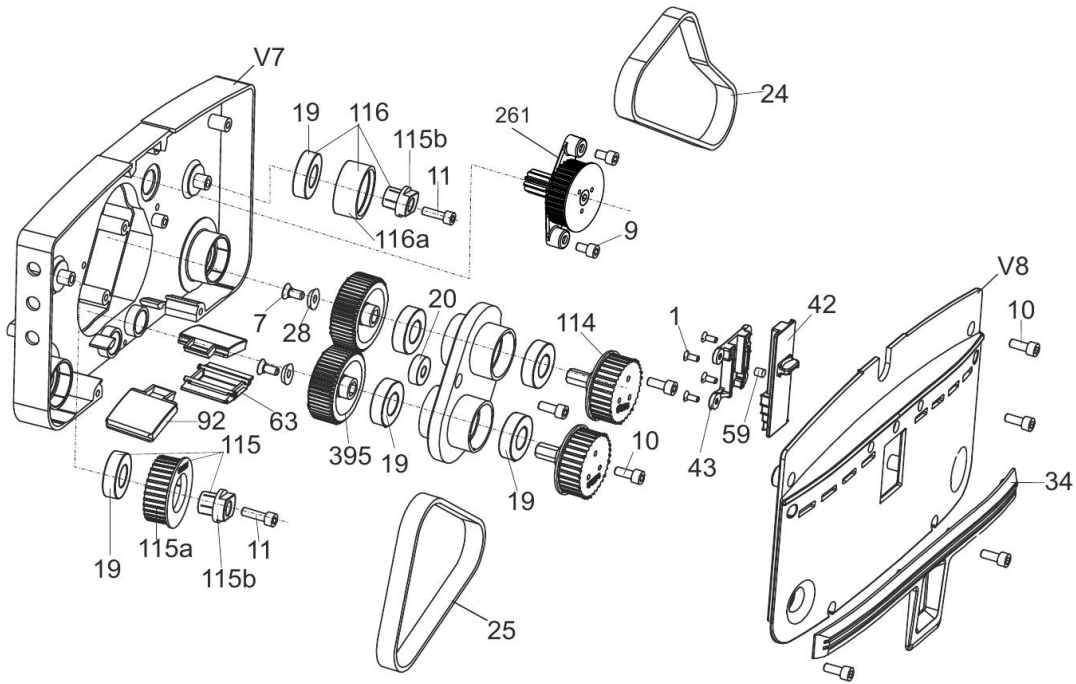
---

Parts Manual  
For Commercial Use Only



**BR 18/1 MW SCRUBBER**  
**MODEL NO: 99418**

Tacony [Nov. 20, 2012]/Year 2010-Current: Schematics, Accessories, Brochures, Replacement & Optional Items/Automatic Scrubbers/99418 BR 18/1 MW/Drive Side Housing

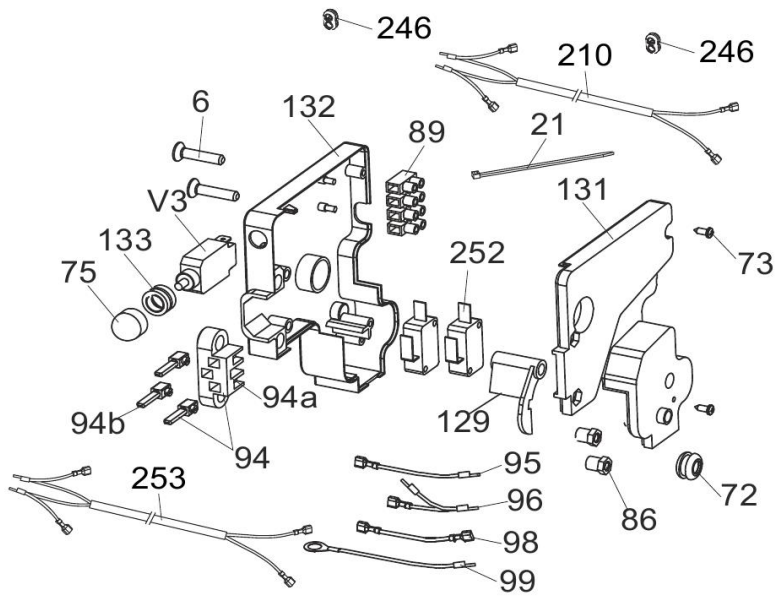
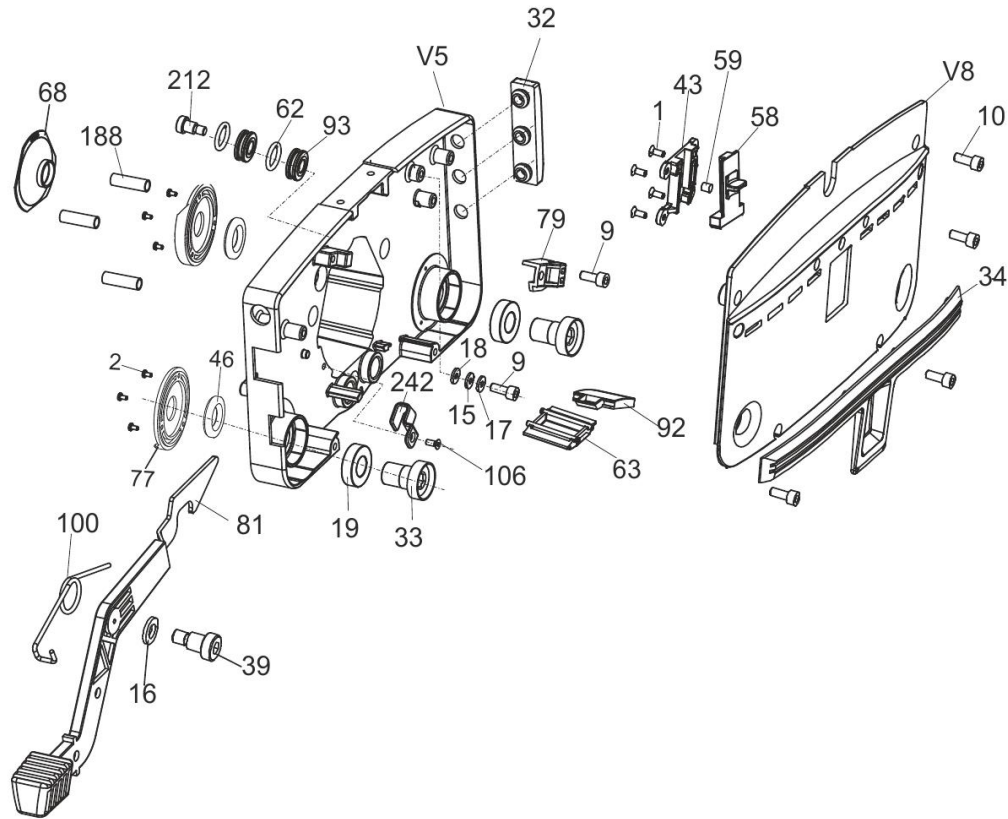


NOTE: Item no 9 is not included in assy 261.

Tacony [Nov. 20, 2012]/Year 2010-Current: Schematics, Accessories, Brochures, Replacement & Optional Items/Automatic Scrubbers/99418 BR 18/1 MW/Drive Side Housing

No.	Part No.	Qty.	Description	
1	90-0258-0000	4	Screw M4 x 10	
2	90-0001-0000	6	Screw M3 x 6	
7	90-0143-0000	2	Screw M6 x 14	
9	90-0293-0000	2	Allen Screw M6 x 10	
10	90-0144-0000	7	Allen Screw M6 x 16	
11	90-0005-0000	2	Allen Screw M6 x 20	
19	CAS88	8	Bearing 6003 2RS	
20	90-0598-0000	1	Motor Shaft Guide Bushing	
24	90-0011-0000	1	Belt	
25	90-0012-0000	1	Belt	
28	90-0152-0000	2	Washer	
32	90-0154-0000	1	Front Bumper	
34	90-0156-0000	1	Side Bumper	
42	33861	1	Brush Slider (Yellow)	
43	90-0025-0000	1	Slider Housing	
46	90-0027-0000	2	Seal	
59	90-0035-0000	1	Pin	
62	90-0176-0000	2	O-Ring	
63	90-0040-0000	1	Shield	
77	90-0020-0000	2	Cap	
92	90-0267-0000	2	Shield	
93	90-0294-0000	2	Roller	
111	CAS93	2	Brush Sprocket	
114	90-0063-0000	2	Gear Sprocket	
115	90-0065-0000	1	Idler Assembly	
115a	90-0169-0000	1	Sprocket	
115b	90-0161-0000	1	Hub	
116	90-0197-0000	2	Idler Assembly	
116a	90-0166-0000	1	Sleeve	
212	90-0392-0000	1	Stub Axle	
261	90-0652-0000	1	Drum Pinion Assembly	
311	90-0651-0000	1	Housing Assembly-Gear Support	
395	90-0650-0000	1	LH & RH Gear Kit	
V7	33862	1	Housing w/Wear Pad Assembly	
V8	33863	1	Cover Assembly	

Tacony [Nov. 20, 2012]/Year 2010-Current: Schematics, Accessories, Brochures, Replacement & Optional Items/Automatic Scrubbers/99418 BR 18/1 MW/Idle Side Housing

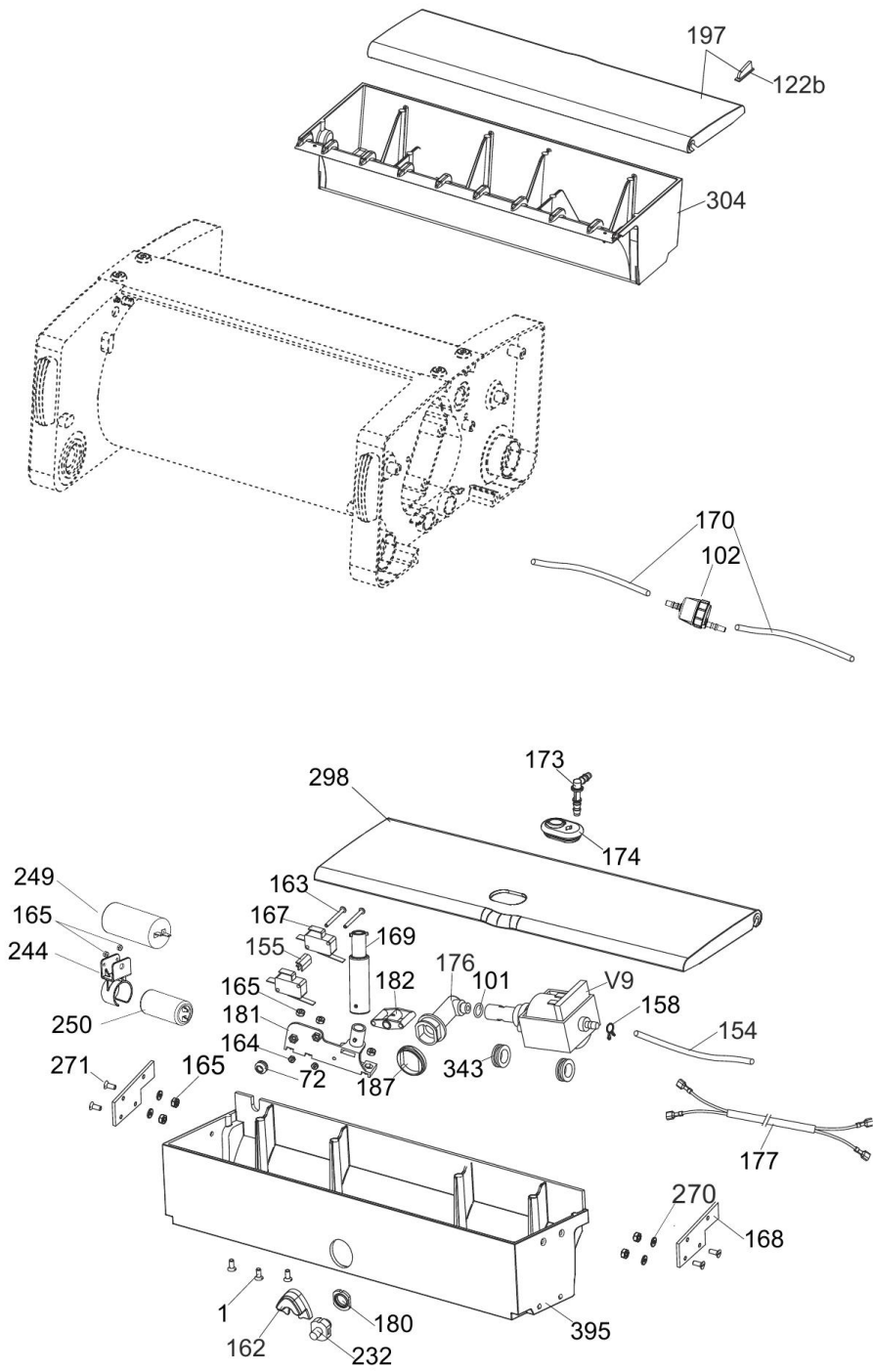


Tacony [Nov. 20, 2012]/Year 2010-Current: Schematics, Accessories, Brochures, Replacement & Optional Items/Automatic Scrubbers/99418 BR 18/1 MW/Idle Side Housing

No.	Part No.	Qty.	Description
1	90-0258-0000	4	Screw M4 x 10
2	90-0001-0000	6	Screw M3 x 6
6	90-0261-0000	2	Screw M5 x 25
9	90-0293-0000	1	Allen Screw M6 x 10
10	90-0144-0000	5	Allen Screw M6 x 16
15	90-0147-0000	1	Washer
16	90-0395-0000	1	Washer
17	90-0298-0000	1	Spring Washer
18	90-0148-0000	1	Toothed Washer
19	CAS88	2	Bearing 60032Rs Bearing 6003 2RS
21	90-0149-0000	2	Wire Tie
32	90-0154-0000	1	Front Bumper
33	90-0155-0000	2	Bush Bushing
34	90-0156-0000	1	Bumper Side Bumper
39	90-0123-0000	1	Stub Axle
43	90-0025-0000	1	Slider Housing
46	90-0027-0000	2	Seal
58	33867	1	Transport Slider
59	90-0035-0000	1	Pin
62	90-0176-0000	2	O-Ring
63	90-0040-0000	1	Shield
68	90-0179-0000	1	Fan Cover
72	90-0045-0000	1	Grommet
73	90-0183-0000	2	Self-Tapping Screw Self Tapping Screw
75	90-0048-0000	1	Cap
77	90-0020-0000	2	Cap
79	90-0188-0000	1	Stopper
81	33868	1	Pedal Pedal Assembly
86	90-0297-0000	2	Nut
89	90-0269-0000	1	Connector
92	90-0267-0000	1	Shield
93	90-0294-0000	2	Roller
94	90-0290-0000	1	Socket Assembly
94a	90-0291-0000	1	Socket
94b	90-0292-0000	3	Terminal
95	90-0278-0000	2	Cable
96	90-0279-0000	1	Cable

No.	Part No.	Qty.	Description	
98	90-281-0000	1	Cable	
99	90-0282-0000	1	Cable	
100	90-0260-0000	1	Pedal Spring	
106	90-0599-0000	1	CSK Screw M4 x 12 Screw M4 x 12	
129	90-0265-0000	1	Switch Activation Lever Switch Lever	
131	90-262-0000	1	Top Insulation	
132	90-0263-0000	1	Bottom Insulation	
133	90-0295-0000	1	Nut	
188	90-0397-0000	3	Tie Rod Sleeve	
210	90-0411-0000	1	Cable	
212	90-0392-0000	1	Stub Axle	
242	33864	1	Wire Clamp	
246	90-0477-0000	2	Grommet	
252	33866	2	Switch 21A	
253	55-8251-0250	1	Cable	
V3	90-0318-0000	1	Circuit Breaker 10A	
V5	33870	1	Idle Side Housing w/Wear Pad Idle Side Housing	
V8	33871	1	Cover Assembly Cover	

Tacony [Nov. 20, 2012]/Year 2010-Current: Schematics, Accessories, Brochures, Replacement & Optional Items/Automatic Scrubbers/99418 BR 18/1 MW/Pump Housing

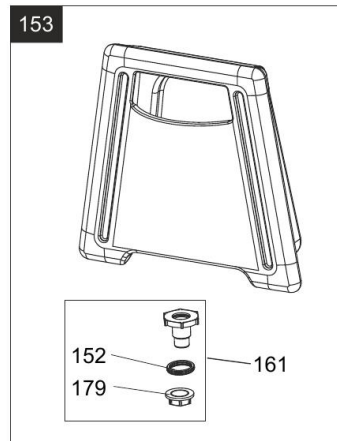
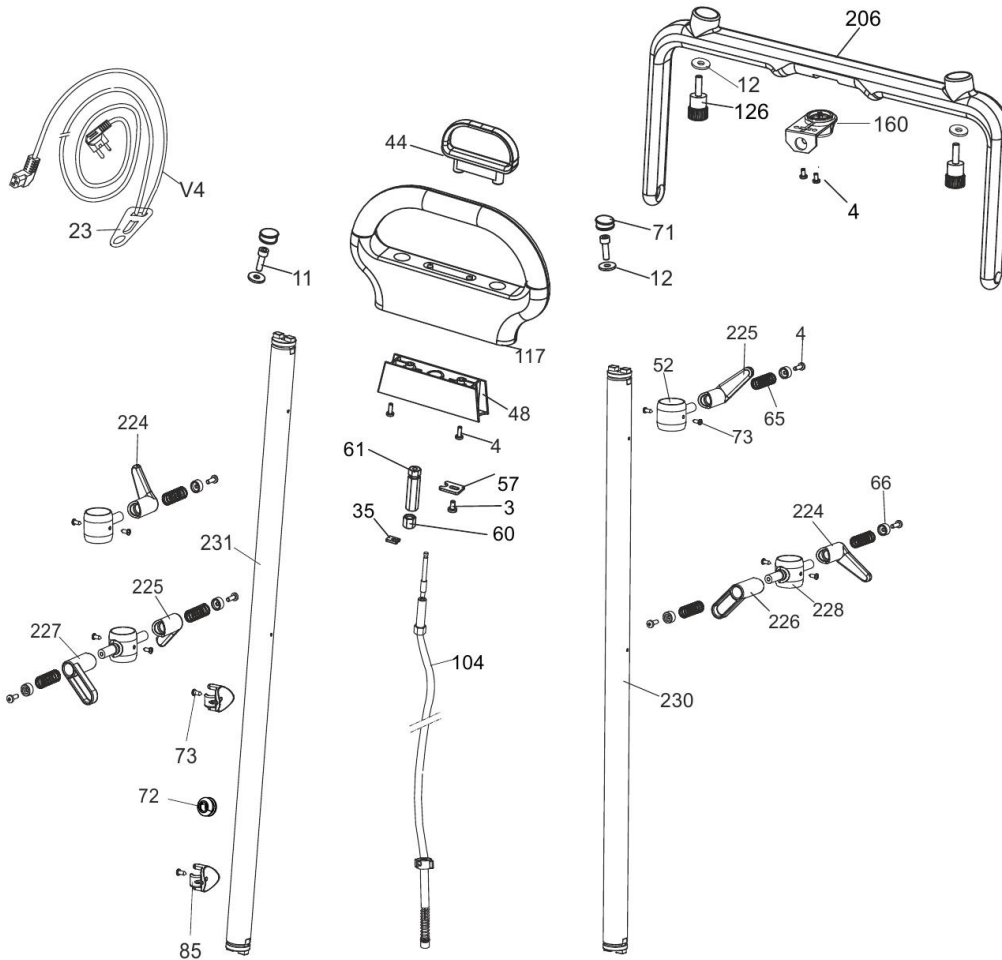


Tacony [Nov. 20, 2012]/Year 2010-Current: Schematics, Accessories, Brochures, Replacement & Optional Items/Automatic Scrubbers/99418 BR 18/1 MW/Pump Housing

No.	Part No.	Qty.	Description
1	90-0258-0000	3	Screw M4 x 10
72	90-0045-0000	1	Gromet Grommet
101	90-0100-0000	1	O-Ring
102	90-0113-0000	1	Filter Assembly
122b	90-0055-0000	2	Lid Pad
154	90-0104-0000	1	Hose
155	90-0227-0000	1	Insulation
158	90-0353-0000	1	Hose Clip
162	90-0112-0000	1	Nozzle Boot
163	90-0138-0000	2	Screw M3 x 30
164	90-0140-0000	2	Nut
165	90-0141-0000	7	Nut
167	90-0057-0000	2	Switch
168	90-0349-0000	2	Lid Strip
169	90-0350-0000	1	Extension
170	90-0403-0000	2	Hose
173	90-0404-0000	1	Hose Connector
174	90-0405-0000	1	Lid Boot
176	90-0094-0000	1	Nozzle Adaptor
177	90-0344-0000	1	Cable
180	90-0093-0000	1	Nozzle Seal
181	90-0209-0000	1	Switch Plate
182	90-0212-0000	1	Lever
187	90-0099-0000	1	Spacer
197	90-0407-0000	1	Dirty Water Tank Lid
232	90-0453-0000	1	Nozzle
244	90-0665-0000	1	Capacitor Clamp
249	90-0664-0000	1	Capacitor 60 MFD
250	55-3250-3810	1	Capacitor 200-250 MFD
270	90-0646-0000	4	Washer
271	55-2120-0090	4	Screw M4 x 15
298	39770	1	Pump Housing Lid Assembly
304	39771	1	Dirty Water Tank
343	90-0559-0000	2	Support Ring
395	39772	1	Pump Housing
V9	33880	1	Pump 115V



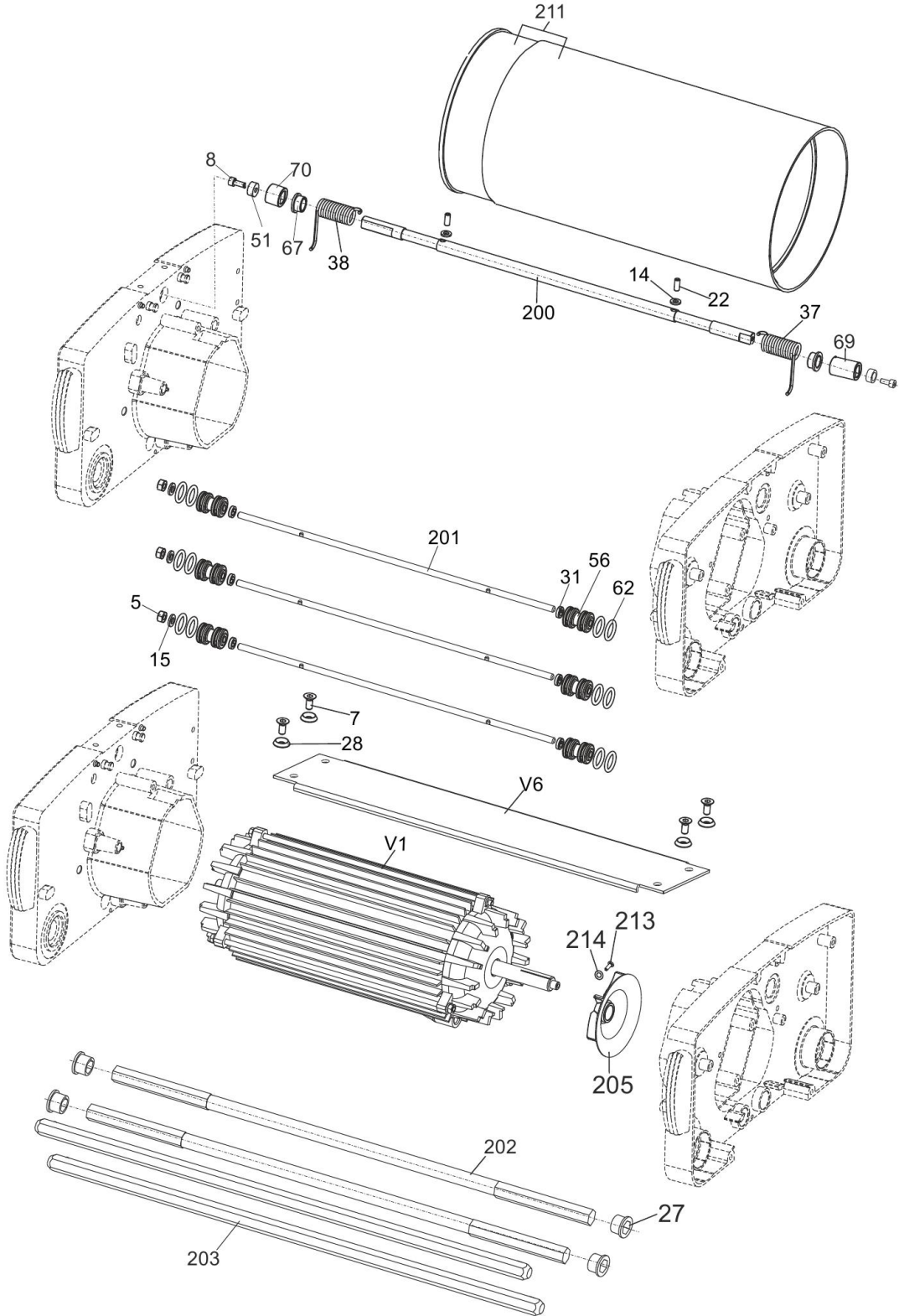
Tacony [Nov. 20, 2012]/Year 2010-Current: Schematics, Accessories, Brochures, Replacement & Optional Items/Automatic Scrubbers/99418 BR 18/1 MW/Handle Assembly



Tacony [Nov. 20, 2012]/Year 2010-Current: Schematics, Accessories, Brochures, Replacement & Optional Items/Automatic Scrubbers/99418 BR 18/1 MW/Handle Assembly

No.	Part No.	Qty.	Description
3	90-0002-0000	1	Screw M4 x 8
4	90-0046-0000	10	Screw M4 x 12
11	90-0005-0000	2	Allen Screw M6 x 20
12	90-0006-0000	4	Washer
23	90-0010-0000	1	Cable Retainer
35	90-0018-0000	1	Clamp
44	90-0026-0000	1	Pull Handle
48	90-0165-0000	1	Cap
52	90-0168-0000	2	Cable Holder Base
57	90-0032-0000	1	Clamp
60	90-0038-0000	1	Nut
61	33881	1	Sleeve
65	90-0041-0000	6	Spring
66	90-0042-0000	6	Washer
71	90-0044-0000	2	Plug
72	90-0045-0000	1	Grommet
73	90-0183-0000	10	Self Tapping Screw
85	33882	2	Guide
104	90-0347-0000	1	Pull Cable
117	90-0067-0000	1	Top Handle
126	90-0296-0000	2	Knob
152	90-0101-0000	1	Gasket
153	90-0103-0000	1	Tank Assembly 4L
160	90-0110-0000	1	Base Valve Assembly
161	90-0111-0000	1	Valve Complete (a-d)
179	90-0092-0000	1	Nut
206	90-0413-0000	1	Handle Bottom
224	90-0402-0000	2	Cable Holder Knob II
225	90-0429-0000	2	Cable Holder Knob I
226	90-0443-0000	1	Tank Holder Knob LH
227	90-0444-0000	1	Tank Holder Knob RH
228	90-0445-0000	2	Tank and Cable Holder Base
230	90-0451-0000	1	Handle Pipe Assembly LH
231	90-0452-0000	1	Handle Pipe Assembly RH
	33883	1	Yellow Power Cord 40'

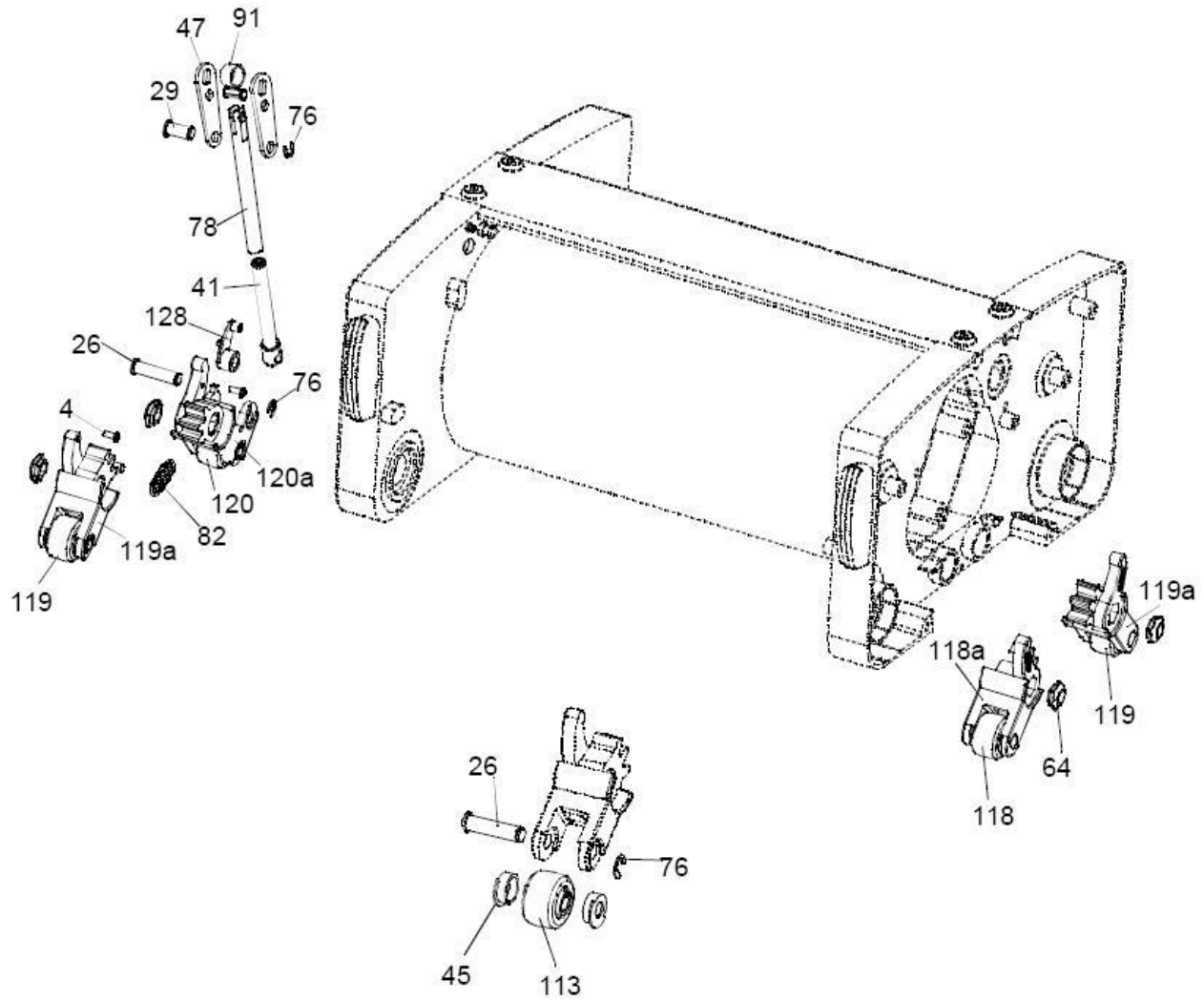
Tacony [Nov. 20, 2012]/Year 2010-Current: Schematics, Accessories, Brochures, Replacement & Optional Items/Automatic Scrubbers/99418 BR 18/1 MW/Motor, Drum, and Bridge Assembly



Tacony [Nov. 20, 2012]/Year 2010-Current: Schematics, Accessories, Brochures, Replacement & Optional Items/Automatic Scrubbers/99418 BR 18/1 MW/Motor, Drum, and Bridge Assembly

No.	Part No.	Qty.	Description	
5	90-0142-0000	4	Nut	
7	90-0143-0000	2	Screw M6 x 14	
8	90-0004-0000	2	Allen Screw M4 x 10	
14	90-0146-0000	3	Washer	
15	90-0147-0000	2	Washer	
22	90-0150-0000	4	Grub Screw M5 x 12	
27	90-0015-0000	4	Bushing	
28	90-0152-0000	6	Washer	
31	90-0017-0000	1	Washer	
37	90-0157-0000	1	Spring	
38	90-0158-0000	1	Spring	
51	90-0030-0000	6	Washer	
56	90-0172-0000	12	Roller	
62	90-0176-0000	2	O-Ring	
67	90-0178-0000	1	Bushing	
69	90-0180-0000	1	Bushing	
70	90-0181-0000	1	Bushing	
200	90-0414-0000	3	Handle Shaft	
201	90-0415-0000	2	Tie Rod	
202	90-0416-0000	2	Shaft	
203	90-0417-0000	2	Brush Shaft	
205	90-0418-0000	1	Motor Fan Dust Shield	
211	90-0419-0000	1	Drum Assembly	
213	90-0422-0000	1	Screw M3	
214	90-0423-0000	1	Spring Washer	
V1	55-8250-2660	1	Motor 115V/60Hz	
V6	90-0426-0500	1	Bridge Housing Assembly	

Tacony [Nov. 20, 2012]/Year 2010-Current: Schematics, Accessories, Brochures, Replacement & Optional Items/Automatic Scrubbers/99418 BR 18/1 MW/Lever and Guide Link Mechanism



Tacony [Nov. 20, 2012]/Year 2010-Current: Schematics, Accessories, Brochures, Replacement & Optional Items/Automatic Scrubbers/99418 BR 18/1 MW/Lever and Guide Link Mechanism

No.	Part No.	Qty.	Description	
4	90-0046-0000	2	Screw M4 x 12	
26	90-0151-0000	5	Clevis Pin	
29	90-0153-0000	1	Clevis Pin	
41	90-0159-0000	1	Link	
45	90-0162-0000	8	Shield	
47	90-0163-0000	2	Lever	
64	90-0177-0000	4	Lever Button	
76	90-0051-0000	6	Circlip	
78	90-0186-0000	1	Link Guide	
82	90-0284-0000	1	Spring	
91	90-0257-0000	1	Bushing	
113	90-0196-0000	4	Wheel	
118	90-0068-0000	1	Lever Assembly	
118a	90-0173-0000	1	Lever	
119	90-0069-0000	2	Lever Assembly	
119a	90-0174-0000	2	Lever	
120	90-0070-0000	1	Lever Assembly	
120a	90-0175-0000	1	Lever	
128	90-0266-0000	1	Lever Switch	

Tacony [Nov. 20, 2012]/Year 2010-Current: Schematics, Accessories, Brochures, Replacement & Optional Items/Automatic Scrubbers/99418 BR 18/1 MW/Accessories

# Accessories

Tacony [Nov. 20, 2012]/Year 2010-Current: Schematics, Accessories, Brochures, Replacement & Optional Items/Automatic Scrubbers/99418 BR 18/1 MW/Accessories

No.	Part No.	Qty.	Description	
	33985	2	18" Multi Wash Brush Standard (Each)	
	33986	2	18" Multi Wash Brush Soft (Each)	
	33987	2	18" Multi Wash Brush Hard (Each)	
	33988	2	18" Multi Wash Brush Escalator (Each)	
	33989	2	18" Multi Wash Brush Carpet (Each)	
	33991	1	BR 18/1 MW Side Brush	
	05-3395-0000	1	Trolley	



